

Armada Technologies
Pro900™
Advanced Underground Locator
USER GUIDE



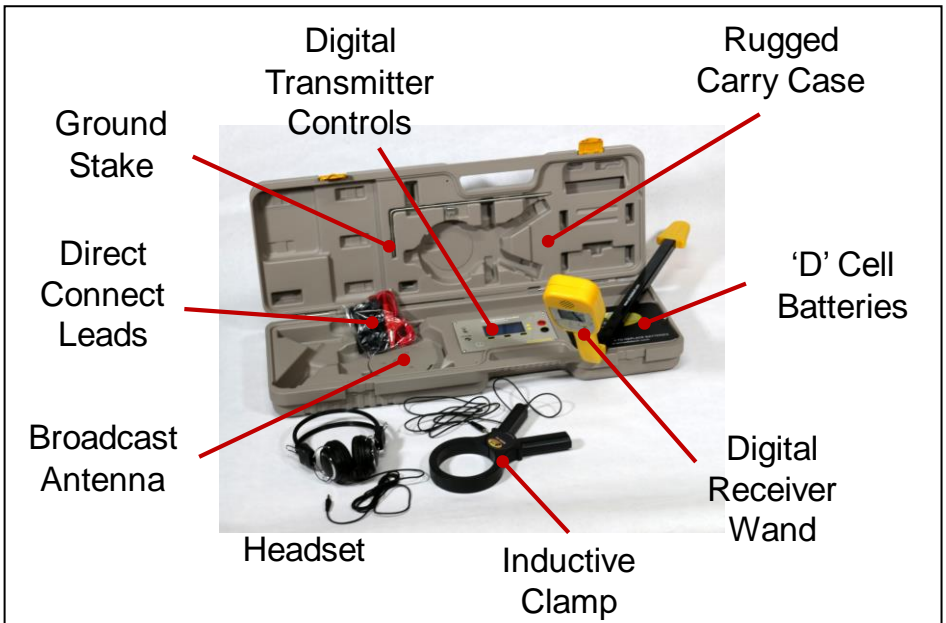
English – Page 2
Español – Página 21

WARNING – Read and understand the instructions before operating this unit. Failure to do so could lead to injury or death.

The Armada Technologies Pro900™ Advanced Underground Locator is designed to track underground wiring and find lost sprinkler valves. In addition, broken or severely damaged wires may also be located. The complete Pro900™ kit consists of:

- (1) Pro900R Receiving Wand
- (1) Pro900T Transmitter and Carrying Case
- (1) Pro-H3 Stereo Headset
- (1) AC Wall Power Unit
- (1) Pro-IC4 Inductive Clamp
- (1) Pro-GS1 Ground Stake
- (1) Set of Black/Red Connecting Leads
- (1) Operating Manual

Please be sure that all items are included before operating.



The Pro900™ Advanced Underground Locator

Introduction: Theory of Locating - Cable locators consist of a transmitter and a receiver. In the case of the Pro900™ model, the transmitter is in the long gray box and the receiver is a yellow and black wand. In operation, a transmitter places a specific tracing signal onto the metallic conductor you are trying to locate. This placing of an AC signal onto a cable produces an electrical current and an electromagnetic field around that cable. If the wand is close enough, this signal is received and amplified by the wand.

It is very important to understand that the circuit you are creating follows the laws of physics and electricity. A cable transmitter creates an electrical current (AC) that travels down the cable, through grounding to the earth, and then back to the transmitter through the ground stake. The tracing signal will always travel on the path of least resistance. If there is too much resistance or no circuit path, no current will flow and no locate will be possible. So keep in mind that when a signal is heard, it is because the signal has a complete path that is creating an electrically friendly way for the signal to travel back to the transmitter. The signal doesn't just randomly wander through the dirt. It follows a path provided for it, whether it is a pipe, wire, reinforcing bar, etc.

It is also important to note that in the tracing circuits, a return path needs to be present. Basically, the return path completes the circuit. In most cases, this will be the earth ground as the signal transmits down the cable and returns to the ground stake. However, any return is possible, so a common wire could work. Or if you have a looped wire, like a dog fence, the loop itself returns to the start and therefore provides a 'ground' instead of the ground stake. You don't have to use a ground stake but you do have to give the signal a way to return to the transmitter.

Power – The Pro900™ has two options for powering the transmitter; AC mains power or internal batteries. The AC adapter is useful when 120 Vac power outlets are available nearby. The adapter provides constant power and does not diminish batteries. To use the AC adapter, simply insert the round plug of the adapter

into the “12 V” external power receptacle on the transmitter panel and

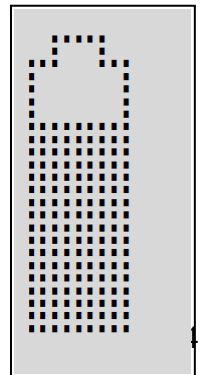
the traditional bladed end into a wall outlet. The transmitter is then powered by AC mains voltage instead of batteries.

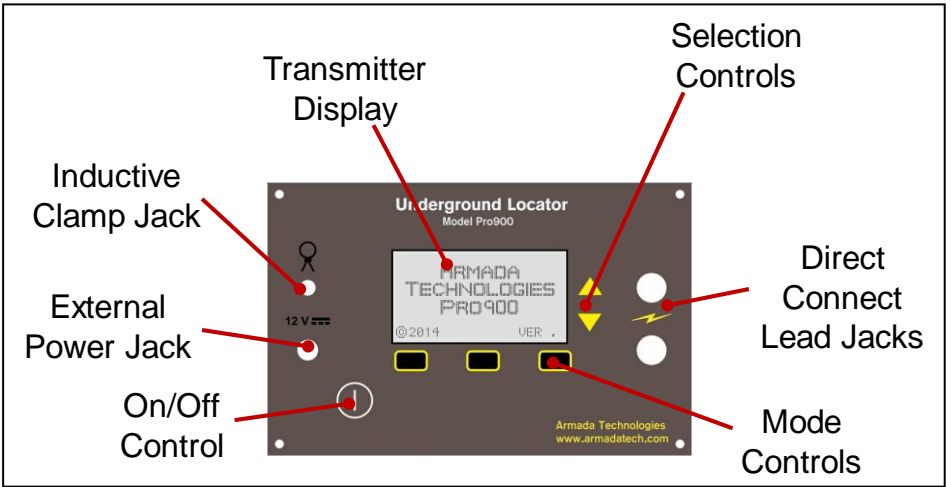
The Pro900™ transmitter also can use 8 “D” (LR20) alkaline batteries that are installed inside the transmitter battery compartment. Remove the battery compartment cover and install the batteries, paying particular attention to the positive and negative poles.

A 9-volt square (6LR61) alkaline or lithium battery is needed for the Pro900™ receiver. It is important that the 9V battery is either alkaline or lithium. Do not use a zinc carbon 9V battery. To install this battery, remove the battery compartment cover located on the back top portion of the Pro900™ receiver with a flat-head screwdriver. Install the 9 volt battery by connecting it to the battery snap boot inside the battery compartment. Don't yank or pull hard on the battery boot. Finally, replace the battery cover.

To test that the batteries have been correctly installed, turn each unit on. The control panel LCDs will come on if the batteries have been connected correctly. If not, repeat the installation procedures. The battery compartment is designed to hold the batteries tightly so if you do not get a signal for power, try adjusting the batteries by rolling them or moving them forward and backward until the power does come on.

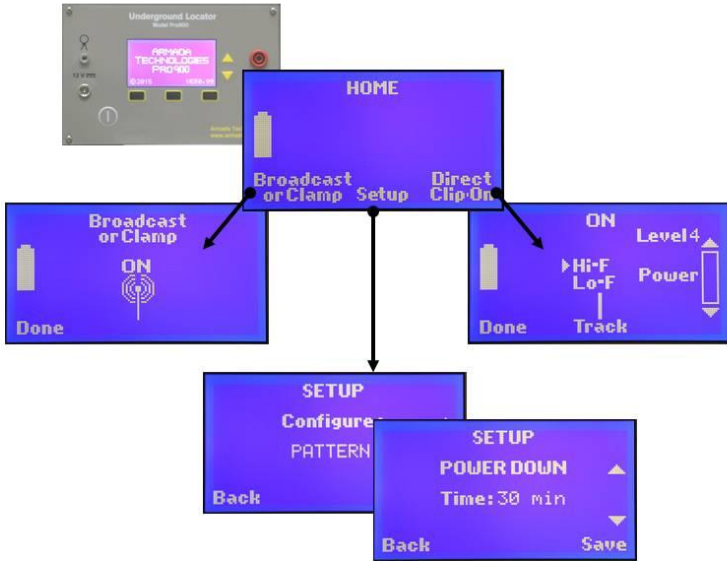
Battery Condition Indicators - There are low battery indicator symbols on the left edge of both the transmitter and receiver display panels. These “fuel gauge” battery symbols will be solid when fresh and diminish to empty as the batteries are depleted.





Pro900™ Transmitter Controls

Transmitter Operation –



Pro900 Transmitter Display Screens

Pro900™ Transmitter Display Operation

Turn the Transmitter ON. After a momentary banner screen you will see the HOME display. From here you can elect to use the Broadcast or Clamp connectionless mode or the Direct Clip-on mode.

DIRECT CLIP-ON: Be sure that any equipment such as irrigation controllers, lighting transformers or telecom equipment are disconnected from wires that are to be traced by direct connection. The output voltage on the Direct Connect leads can be in the hundreds of volts. Before selecting Direct Clip-on connect the red alligator lead to the wire you want to trace (target wire) and the black alligator lead to the included ground stake. Insert the ground stake into the soil or earth ground

perpendicular to the path of the wire and as far from the transmitter as possible. Do not use common grounds such as pipes or electrical

grounds unless you have no choice. An independent ground stake usually works better than a common ground.

Select Direct Clip-on, which turns on the transmitter output at the lead jacks. In LO-F, adjust the power output selector arrows to increase the power to a visible level on the bar graph (Not Applicable to HI-F). As a rule it is best to start tracing with a low level signal indicated by an “OK” near the power output bar. **If you can’t achieve the minimum “OK” indication, turn the unit off and retry your grounding operation above.** A good ground is crucial for optimum operation. Soil conditions can affect this and you may wish to moisten the grounding area. You can increase the output power with the adjustment arrows in order to increase the range and depth of the trace, but this will reduce battery life in proportion. In HI-F mode, select the power level 1-4 that gives you the best response.

Electing ‘DIRECT HI-F’ or ‘DIRECT LO_F’ operation: When in the Direct Clip-on mode it is also possible to choose between two signal frequencies best suited to Long-and-Deep (LO-F) tracing or Short-and-Shallow (HI-F) tracing. You may need to experiment with the use of these two methods to get the best results for your application.

WARNING – Do not touch the metal red or black alligator clips on the transmitter cords when the power is on. There is danger of injury or death should this occur.

BROADCAST OR CLAMP: When using one of the two connectionless modes, select “Broadcast or Clamp” from the Home screen. This turns on transmitter power to the Broadcast antenna in the bottom of the case. The case then can be positioned over a wire or metal pipe to induce a tracing signal in it. If the Inductive Clamp is plugged in to the front panel in this mode it becomes the active antenna and can be used to induce tracing signals on many wires and pipes by clamping the jaws around the target.

SETUP OPTIONS: User options are accessible via the Pro900™ Transmitter **SETUP** menu as follows:

Power Down: allows the user to select the amount of time from turn on that the unit will automatically shut down to save battery power.

POWER DOWN
ON, 30 MIN, 15 MIN, 5 MIN

Battery: allows the user to adjust the Pro900™ transmitter to be used with either traditional alkaline batteries or rechargeable ones.

BATTERY
ALKALINE
RECHARGEABLE

Contrast: regulates the light/dark ratio on the screen.

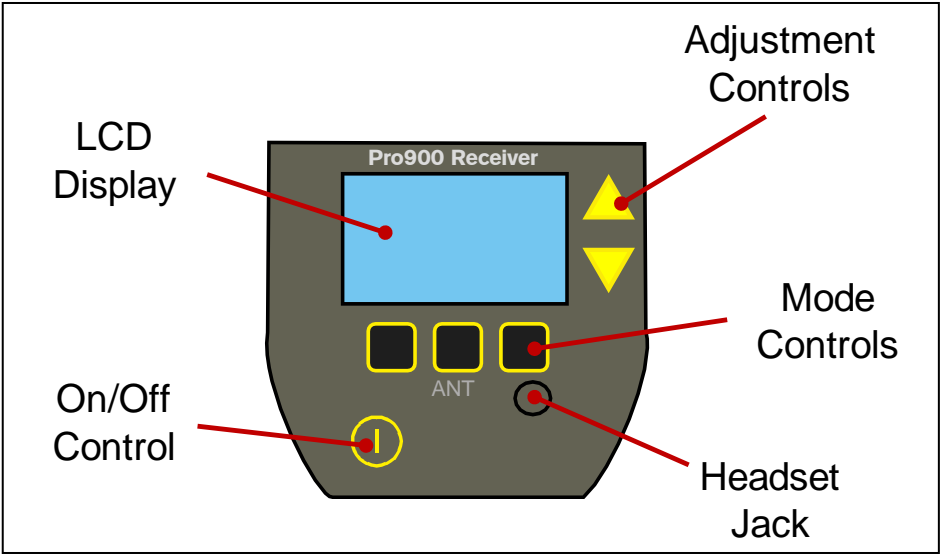
CONTRAST
1 - 8

Backlight: sets levels of backlight brightness.

BACKLIGHT
1 - 4

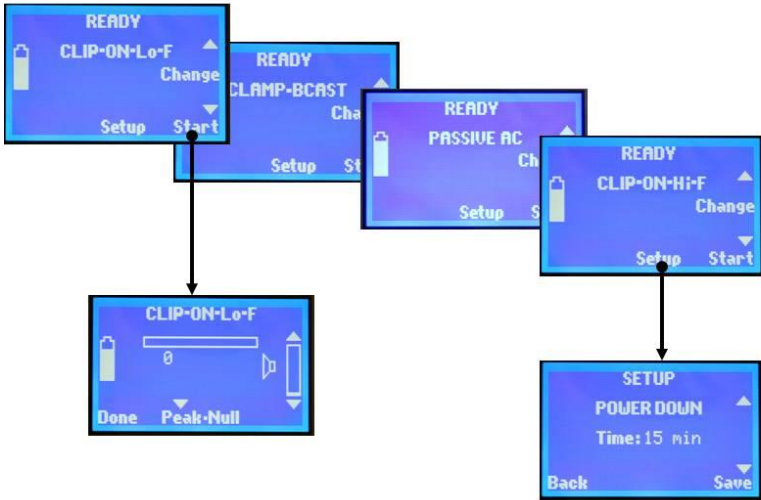
Pattern: allows users to select a solid tracing signal or a pulsating one. Please be aware that the solid signal uses significantly more battery power as the signal is continuously activated.

PATTERN
SOLID
BEEP BEEP



Pro900™ Receiver Controls

Receiver Operation –



Pro900 Receiver Display Screens

Turn on the receiver. From the “Ready” screen select which tracing mode you will be using (connectionless, or direct clip-on LO-F or HI-F, matching the mode of the Transmitter. When Start is then selected, the receiver becomes active, with the display indicating the signal level detected. The controls can also be used to increase the receiver volume.

When the receiver is active the receiver antenna can be switched from Peak to Null modes with the press of the center Mode button, as required for tracing.

SETUP OPTIONS: User options are accessible via the Pro900™ Receiver SETUP menu as follows:

Power Down: allows the user to select the amount of time from turn on that the unit will automatically shut down to save battery power.

```
POWER DOWN
ON, 30 MIN, 15 MIN, 5 MIN
```

```
BLUETOOTH
Not Used Currently
```

Contrast: regulates the light/dark ratio on the screen.

```
CONTRAST
1 - 8
```

Backlight: sets levels of backlight brightness.

```
BACKLIGHT
1 - 4
```

Default Mode: determines what detection mode the receiver will be in when it is turned on.

```
DEFAULT MODE
DIRECT LO-F
DIRECT HI-F
PASSIVE AC
CLAMP-BCAST
```

The features above are similar to the transmitter with the exception of the default mode. To use default mode, select the receiver mode that you wish the receiver to default to when it powers up, which is usually the mode most used.

Tracing Wire - After the transmitter has been properly connected and verified to have a good ground with power set, turn on the receiving wand. The receiver defaults to the most recently used mode with null antenna reception at every start-up. Place the receiver near the operating transmitter. A beeping sound should be heard indicating that the receiver is working properly. A steady high pitched tone could indicate that you are too close to the receiver or your batteries are low. A fading or scratchy signal may indicate a low battery.

There are two antenna methods for tracing a path; Null or Peak. The receiver defaults to Null every time it is turned on. Null means an absence of signal when pointed directly at the cable in question and louder to the left and/or right of it a few inches. Peak means the opposite, that the signal is loudest over the cable. You may select which mode suits you best. In general, the closer you are to the cable, the louder the signal should be except for directly over the cable in the Null mode. The modes can also be flipped while tracing to give a better indication of path trace quality.

In Direct Clip-on mode begin the wire trace by sweeping the area approximately 5-10 feet from the transmitter. Begin by searching for the null response. Until the null is acquired, you may receive audible responses of varying degrees. Follow the signal response until the signal is lost while marking the path as you trace.

In the Broadcast mode the signal saturates a circle for at least 20 feet around the transmitter, so you must begin by walking out of that area, then circling to find the traced wire or pipe.

NOTE – The receiver and transmitter must always be in the same mode to operate correctly.

The selector arrows on the receiver control panel regulate the volume level of the receiver, both headphones and external speaker. Additionally, the signal bar on the receiver display will indicate the signal level visually. After connecting and turning on the transmitter and the receiver, point the receiver toward the ground in the direction of the cable and listen for the beeping signal.

Additionally, the feedback of your locate is given in 3 manners; audible external speaker, headset, or signal meter. Any of these three options indicate signal strength that is being received by the Pro900™.

Finding Faults – Breaks or severe wire damage can be found with the Pro900™. The setup of the unit is the same as when tracing wire. The difference comes in the reception. Whereas the traced wire continues to emit a signal along the path of the cable, a break will cause the signal to stop at the point of the break. A nick or damage will cause the signal drop to a lower level but not necessarily end. Either the speaker or the analog meter on the receiver will indicate this drop.

Be sure the cable or wire you are tracking is grounded – this completes a ‘loop’ for tracing current signal. To trace a cable, it must be grounded, either mechanically or capacitively. Mechanical means a direct physical ground at one end. Capacitive grounding generally applies to cable buried directly in the earth. The signal needs a path to return to the ground stake and without it, you will not get a good locate. A bad ground is indicated on the transmitter output signal meter when an OK or mid-range signal level doesn’t appear even at full power. In many cases, a direct buried cable fault will provide this grounding and allow for a cable to be located.

A general rule is the greater the damage to a cable, the greater the drop off in signal at the point of damage. Conversely, minimal damage or weak grounding will show little change. This is an art and small faults are sometimes difficult to locate. Practice and experience will help immensely in this task.

If the damage is too small to locate and has a path to ground, consider using a ground fault locator like the GFL3000. Small damage to cables, like shovel nicks or gopher chews, are very difficult to locate with a locator. Ground fault locators are designed to find exactly that kind of fault. More information on ground fault locating and the GFL3000 can be found at our website www.armadatech.com.

Finding Irrigation Solenoids and Valves – There are generally two accepted methods to find a lost solenoid/valve.

The first method is to connect the red lead of the transmitter to the station wire leading to that valve and the black to ground as described above. We refer to this as the 'unbalanced' method. Operate the Pro900™ as above and begin your locate. When you reach the point where a valve/solenoid is located, the signal will expand into a large (approx. 2-4ft) diameter area of signal. Many times this signal volume will get louder. This is your indication that you are over a valve or solenoid.

The second method starts by tracing the wire path as previously described. Once the wire path has been traced you must power the transmitter off, remove the black lead from the earth ground and connect it to the common wire. We call this the 'balanced' method. In the case of multiple common wires it is suggested that you isolate and connect to the common wire that services the target valve. Connecting to multiple commons will work, however it weakens the signal response.

Power the transmitter on and adjust the output signal to suit your needs. High power output is not necessary and will limit battery life. It is advised that you once again point the receiver at the transmitter to assure that both units are on and functioning properly.

Slowly follow the pre-marked wire path. There will be an absence of signal response due to cancelling of the closely parallel wires until you near the valve. As you move closer to the valve the receiver will begin making a chattering sound which will intensify and distort, turn the volume down and take your time.

Even with the volume at its lowest setting the response of the valve solenoid will be very loud. Pinpointing the exact location of the solenoid is possible by decreasing the volume and taking your time. The lower the volume is, the more accurate you can be.

Slowly start moving the receiver in an X pattern above the high pitched area, continue reducing the volume while moving the tip of the receiver closer to the ground. Between the proximity of the receiver tip to the ground and the reduction in volume you can tell exactly where the valve

solenoid is. Use a pointed probe to find the outline of the valve box before excavating. This will assure that unwanted damage isn't a result

of your locate. Once the valve is located, verify that it is indeed your target either manually, with the Pro48, or from the controller.

There may be more than one valve on the cable being traced. You may wish to continue past the first valve located to determine if other valves are also located on this wire.

Broadcast Mode – Broadcast mode is connectionless and different from using the direct clip-on method of connection that has previously been discussed. It is not as precise or strong as direct connecting, but when access to cables is limited or just a quick scan is required, Broadcast Mode can be very useful.

Broadcast mode is excellent for finding telephone or cable TV lines. It is less useful with wires attached to solenoids. The principle in use with Broadcast mode is AC induction. On ordinary wires, that works well. And it can work for sprinkler wire but the solenoid sometimes has to be eliminated from the circuit. This can be done by disconnecting the solenoid and grounding the wire manually. The problem is that the solenoid acts as a signal dampener with AC inductance. By removing the solenoid from the circuit, you can find sprinkler wires in broadcast mode. Deactivated 2-Wire systems do not have this issue and are traceable as they exist in the ground.

Broadcast mode uses an inductive antenna located in the transmitter case to broadcast a signal around the case in an approximately 25 foot radius in all directions. It allows the user to transmit or induce signal from the transmitter directly into the ground. Any grounded metallic cable or pipe traveling through this electromagnetic field will pick up at least some of the tracing signal, making that conductor traceable with the wand.

Place the transmitter on the ground over the cable you wish to trace and select Broadcast to begin. A vertical position of the case increases the

power induced into the ground. The transmitter is now inducing signal approximately 20 to 25 feet from it, and energizing any conductors in

that field. You may now trace any conductor that has picked up that signal.

Also note, when the user is within 20 to 25 feet of the transmitter, you cannot trace a cable because the signal from the case itself will overpower the induced cable signal. The user will always hear the transmitter signal within 20 feet of the transmitter case.

The Broadcast mode does not have a power output adjustment on the transmitter. In addition, remember that ALL conductors in the ground that can pick up the signal will. Therefore, tracking is better in non-congested areas.

It is important to understand the uses and limitations of Broadcast Mode when compared to direct connection with the alligator clips.

Note: Broadcast Mode operates using Null reception only

Inductive Clamp Mode –To use the IC4 clamp, plug the clamp into the clamp receptacle on the Pro900™ transmitter and place the transmitter in the “Broadcast or Clamp” mode. Clamp the IC4 around the cable or pipe to be traced. For best performance, orient the clamp so that the side with the wired handle is closest to the cable. You can also increase the effectiveness of the clamp by wrapping the wire around the clamp as many times as possible. Like a transformer, the more wraps, the more power.

Please note, the clamp must be placed between grounding points on each end of the cable and the cable must be grounded on both ends for the clamp to work. The clamp induces current onto the cable and the current will not flow if the cable isn't grounded on both ends.

Note: Inductive Clamp Mode operates using Null reception only.

Tracing Live Electrical Lines using Passive Mode - The Pro900™ receiver has the capability of detecting live electrical AC lines in the ground without connecting to them. This is known as Passive AC mode. In passive mode, no transmitter is used.

DO NOT ATTEMPT TO CONNECT THE ALLIGATOR LEADS OR ANY OTHER Pro900™ COMPONENT TO LIVE ELECTRICAL LINES. DEATH OR INJURY COULD OCCUR.

To use the passive mode, turn on the Pro900™ wand and select the Passive AC mode using the control panel. This switches the receiver into an unfiltered mode that detects the electrical field generated by 50Hz or 60Hz electrical current. Once the Pro900™ wand is on, simply search an area until you hear a buzzing sound. There is no beeping signal as the transmitter is not used. Follow the buzzing sound in either null or peak mode, both will work, to track the cable. **DO NOT RELY ON THE 50/60 Hz PASSIVE MODE AS THE SOLE METHOD OF LOCATING POWER LINES.** Passive mode may not detect power cabling if there is no live electrical current present in the cable at the time.

How to determine depth - Find the null over the wire path and mark it. Then place the tip of the receiver on the ground at the mark. Without lifting the receiver tip from the ground, lower the top of the receiver to approximately a 45 degree angle and slowly walk the receiver away from the wire path until you re-acquire the null. The distance between the wire path and the newly established null is the approximate depth of the target. This is the Equilateral Triangle method.

Determining target accuracy - This is a very easy to perform method of determining target accuracy. Place the tip of the receiver on the ground directly over your suspected target location, switch from null to peak by pressing the mode selection pad. The peak and null responses will agree if the locate is accurate. If the peak and null are off by more than a few inches the location is not accurate. Toggling between the null and peak modes often when locating the wire path will assure you of accuracy and help build your confidence.

Helpful Hints – Increases in signal strength and/or the size of the area it is occurring from usually indicates some type of anomaly in the cabling. Things that could cause this are valves (as described above), nicks, cuts, bad splices, or cut wires. Cable in good condition does not normally change the tone or strength, other than a very gradual loss of reception over distance, but it is possible. Slack loops of extra wire left in the ground at installation are an example of a condition that would cause an increase of signal and yet have no problem.

Also, soil condition makes a huge difference in the performance of cable locators. Basically a circuit is being created from the transmitter, through the cable, out through the ground and back to the ground stake. Any discontinuity in any of these links will cause the locator to not work. Be sure your ground stake is secure and in the dirt and that the transmitter is connected to the cable you want to track.

The soil serves as the return path for the circuit. When using direct connection methods, you may have to condition dry or sandy soils to increase the conductivity of the soil by adding a little water at the ground stake. The best way to really learn the Pro900™ is to use it. Set up a test site at your home or office and get used to how it works. There is no substitute for experience in the art of locating.

In addition, our website has many training videos under the training tab which can be accessed 24/7. We also have available technical support with live human beings Monday through Friday from 8am to 4:30pm EST.

SPECIFICATIONS

Tracking Range (LO-F, 2kHz) connection leapfrogging	Depth: 8 feet (2.4 m) Wire length: 5,000 feet (1.5 km) with direct Wire length: unlimited with broadcast mode and
Tracking Signals	Frequency One (LO-F): 2 kHz direct connect Frequency Two (HI-F): 33 kHz direct connect Frequency Three (BCAST): 175 kHz via clamp or internal antenna Passive AC: 50/60 Hz
Antennas	Receive Peak – 2/33 kHz Receive Null – 2/33 kHz Receive Peak – 175 kHz Transmit Internal – 175 kHz
Clamp Interior Diameter	3.5 inches (85 mm)
Direct Connect Signal Output	900 V peak with no load 1 W maximum
Audio Output	Headset and Loudspeaker
Power Source	Transmitter: Eight (8) 'D' cells (LR20) alkaline or NiMH, or External 120 Vac Powering Receiver: One (1) 9 V (6LR61)

Warranty – Armada Technologies warranties all products for 12 months from manufacturing defects from the date of retail purchase. Armada Technologies will repair or replace any component that is returned to Armada Technologies within 12 months of purchase and does not exhibit signs of abuse or misuse. It is Armada Technologies sole discretion to determine this condition. Armada Technologies also reserves the right to require a proof of purchase in order to determine date and validity of purchase.

Batteries are not covered by warranty.

Armada Technologies Inc.
3596 76th St. SE
Caledonia, MI 49316
USA
(616) 803-1080

www.armadatech.com

© Armada Technologies 2020

[REV 12/20 L](#)

Armada Technologies
Pro900™
Localizador Subterráneo Avanzado
Manual de Instrucciones



ADVERTENCIA -- Lea y entienda las instrucciones antes de operar esta herramienta. Utilizarla sin comprender cómo manejarla podría ocasionar un accidente o la muerte.

El Localizador Subterráneo Avanzado de Armada Technologies está diseñado para localizar cables subterráneos y encontrar válvulas de aspersor perdidas. Adicionalmente, cables rotos o dañados pueden ser localizados también. El equipo Pro900™ completo consiste en:

- (1) Varilla del Receptor Pro900R
- (1) Transmisor y Estuche Portátil Pro900T
- (1) Audífonos de Estereo Pro-H3
- (1) Unidad de Alimentación de Pared AC
- (1) Abrazadera Inductiva Pro-IC2
- (1) Punta de Tierra Pro-GS1
- (1) Unidad de Conductores Negros/Rojos
- (1) Manual de Instrucción

Por favor, asegúrese que todos los equipos están incluidos antes de operar.



Introducción: Teoría de la Localización

El localizador de cables consisten en un transmisor y un receptor. En el caso del modelo Pro900™, el transmisor está en la caja gris larga y el receptor es una varilla amarilla y negra. Al operar, un transmisor emite una señal de localización específica al conductor metálica que quiere localizar. Al colocar la señal de "AC" al cable produce un corriente eléctrico y un campo electromagnético alrededor de dicho cable. Si la varilla está suficientemente cerca, esta señal será recibida y amplificada por la varilla receptora.

Es muy importante entender que el circuito que se está creando sigue las leyes de la física y la electricidad. El transmisor de cable emite una corriente eléctrica (AC) que va por el cable que buscamos, por la tierra, y después vuelve al transmisor por la punta de tierra. La señal de localización siempre seguirá el camino de menor resistencia. Si hay mucha resistencia o no hubiera trayectoria del circuito, la corriente no fluirá y la colocación no será posible. Recuerde que cuando una señal se recibe, es porque la señal tiene una trayectoria completa que está proveyendo una manera cómoda electrónicamente para que la señal vuelva al transmisor. La señal no vaga sin rumbo en la tierra. Sigue una ruta proveída, no importa que sea un tubo o caño, un alambre, una barra de refuerzo, etc.

Es importante también notar que en los circuitos de localización, es necesaria una ruta de retorno. Básicamente, la ruta de retorno completa el circuito. En la mayoría de casos, ésta será la tierra, por lo tanto la señal va por el cable y vuelve a la punta de tierra. No obstante, cualquier retorno es posible por lo que un cable común podría funcionar. Si tiene un cable lazado o trenzado, por ejemplo una valla para sujetar la correa de un perro, el circuito se completa en sí y vuelve al principio y por tanto provee un medio en lugar de la punta de tierra. No tiene que ocupar una punta de tierra pero sí tiene que dar a la señal una trayectoria para volver al transmisor.

La Alimentación

El Pro900™ tiene dos opciones para alimentar el transmisor: la energía del cable principal o las baterías internas. El adaptador AC es útil cuando las tomas de corriente 120 Vac están disponibles. El adaptador

provee la energía continuo y no disminuye las baterías. Para ocupar el adaptador AC, sencillamente insertar el enchufe redondo del adaptador en el "12 V" receptáculo de alimentación externa en el panel del transmisor y el extremo tradicional con aspas en una tomacorriente de pared. El transmisor está alimentado entonces por el voltaje principal en lugar de las baterías.

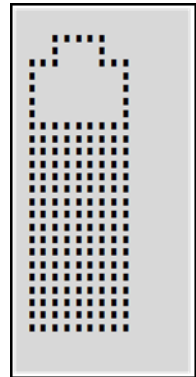
El transmisor Pro900™ también puede ocupar ocho baterías alcalinas D (LR20) que se instalan dentro del compartimiento de baterías del transmisor. Quite la tapa del compartimiento de la batería y instale las baterías, poniendo mucha atención a los polos positivos y negativos.

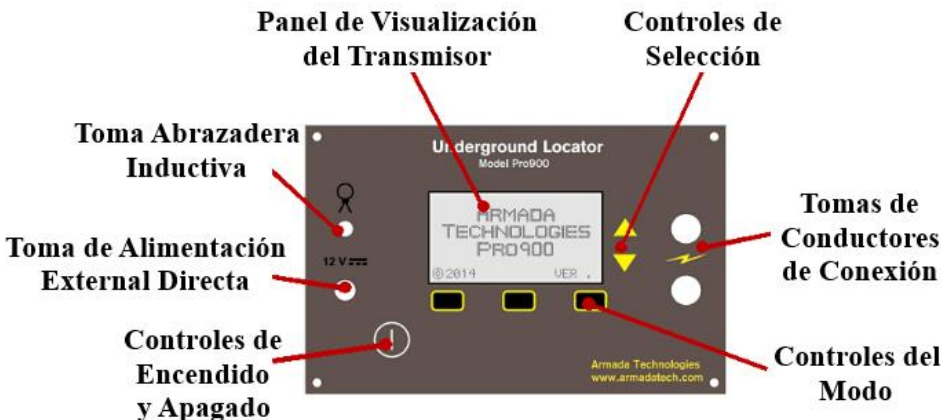
Necesita una batería alcalina de nueve volts cuadrados (6LR61) para el receptor Pro900™. Para instalar esta batería, quite la tapa del compartimiento de la batería que está detrás del receptor en la área arriba. Instale la batería de nueve volts, conectándola a la terminal de la batería que está dentro del compartimiento de la batería. No tire ni jale con gran fuerza el conector de la batería. Por última, vuelva a instalar la tapa del compartimiento de la batería.

Para probar que las baterías se han instalado correctamente, enciende cada unidad. Las luces LCD del panel de control encenderán si fueron conectadas correctamente. Si no encienden, haga el proceso de nuevo. El compartimiento de la batería está diseñado para sostenerlas firmes, entonces si no hay luz que indique que hay energía, ajuste las baterías al rodándolas y moviéndolas de adelante hacia atrás hasta que la energía se encienda.

Indicadores del Estado de las Baterías

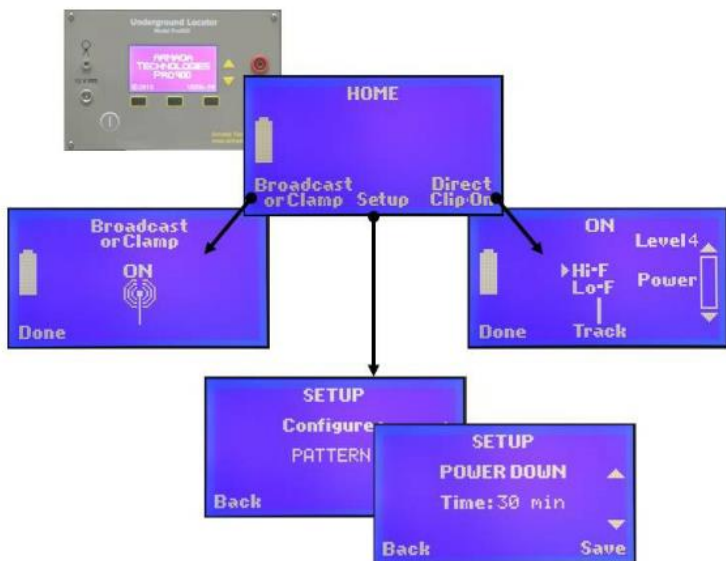
Hay símbolos indicadores del estado bajo de las baterías en el borde al lado izquierdo del transmisor y en los paneles de visualización del receptor. Estos símbolos están llenos cuando la batería está llena y disminuirán al estar gastando la energía de la batería.





Controles del Transmisor de Pro900™

Operación del Transmisor



Las Pantallas de Visualización del Transmisor Pro900

Operación del Visualizador del Transmisor Pro900™

Encienda el transmisor. Después de una pantalla momentánea, verá la pantalla de inicio. Desde allí puede elegir entre el modo de Emisión o Abrazadera inalámbrica o el modo "Clip-On" directo.

CLIP-ON DIRECTO: Asegúrese que todos los equipos tal como controles de irrigación, transformadores de luz, o equipos de telecom están desconectados de los cables que estarán localizados por conexión directa. El voltaje de salida de los conductores de conexión directa puede ser cientos de volts. Antes de seleccionar el modo de Clip-On Directo, conecte el conductor rojo al cable que quiere localizar (el cable objetivo) y el conductor negro a la punta de tierra que está incluida. Introduzca la punta en la tierra perpendicularmente a la ruta del cable y lo más lejos del transmisor que sea posible. No use tierra tubos o neutros eléctricos a menos de que no tenga una opción. Una punta de tierra independiente en general funciona mejor que una punta a un común eléctrico.

Seleccione Clip-On Directo: Lo cual enciende la salida del transmisor en el conector del conductor. En LO-F, ajuste las flechas de selección para aumentar la energía a un nivel visible en el gráfico de barras (no aplica en HI-F). Como una regla, es mejor empezar a localizar con una señal de bajo nivel, indicado por el "OK" cerca del barro de la salida de energía. **Si no puede lograr el mínimo indicador "OK", apague el equipo y intente de nuevo el proceso que está escrito arriba.** Una buena tierra es esencial para una operación óptima. Las condiciones de la tierra pueden afectar y podría ser necesario humedecer la tierra. Puede aumentar la potencia de la salida con las flechas de ajuste para aumentar el rango y profundidad de la localización, pero esto reducirá la vida de la batería proporcionalmente. En el modo HI-F, seleccione el nivel de energía de 1 a 4 que dará la mejor reacción.

Eligiendo la operación HI-F Directo o LO-F Directo:: Cuando está en el modo de Clip-on Directo es posible elegir entre dos frecuencias de señal. Una es mejor adaptada para una localización Larga-y-Profunda (LO-F) o una es mejor para una localización Corta-y-Poca Profunda (HI-F). Es posible que necesite experimentar con los dos métodos para recibir los mejores resultados para su aplicación.

ADVERTENCIA - No toque los conductores rojos ni negros de los cables del transmisor cuando el equipo está encendido. Hay peligro de una lesión o la muerte si esto ocurriera.

EMISIÓN O ABRAZADERA: Para usar uno de los dos modos inalámbricos, seleccione "Emisión o Abrazadera" en la pantalla de inicio. Esta dirige la energía del transmisor a la antena de emisión en el fondo del estuche. El estuche puede ser posicionado encima de un cable o tubo metálico para inducir una señal de localización. Si la abrazadera inductiva está conectada al panel delantero en este modo, se convierte en la antena activa y se puede usar para inducir señales de localización para muchos cables y tubos al sujetar la abrazadera al objetivo.

Opciones de Configuración

Opciones del usuario son accesibles por el menú de SETUP del Transmisor Pro900™ al siguiente:

Apagarse: Esto permite que el usuario seleccione la cantidad de tiempo después de que el transmisor se encienda que el equipo se apaga automáticamente para no gastar la energía de las baterías.

**APAGARSE:
ENCENDIDA, 30 MIN, 15 MINS, 5 MINS**

La Batería: Permite que el usuario elija si el transmisor Pro900™ se ocupa las baterías alcalinas tradicionales o baterías recargables.

**BATERÍA:
ALCALINA
RECARGABLE**

El Contraste: Regula la proporción de luz/oscuridad de la pantalla.

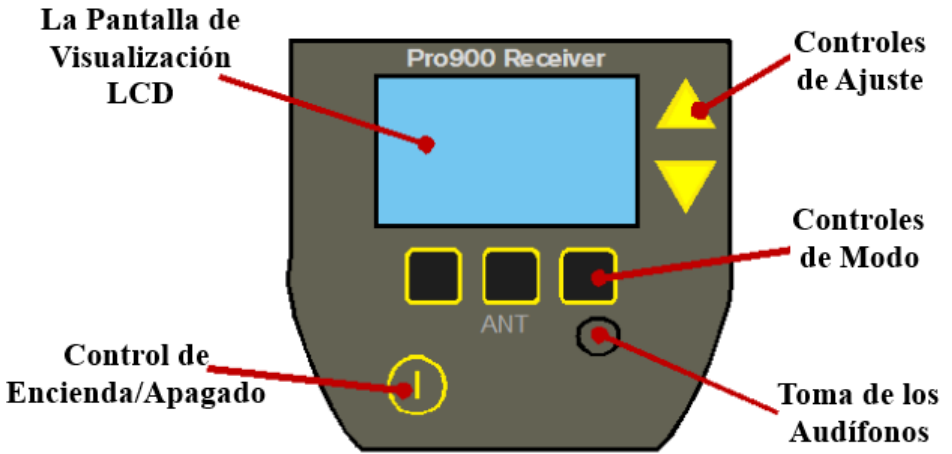
**CONTRASTE:
1 - 8**

El Contraluz: Ajusta los niveles del brillo del contraluz.

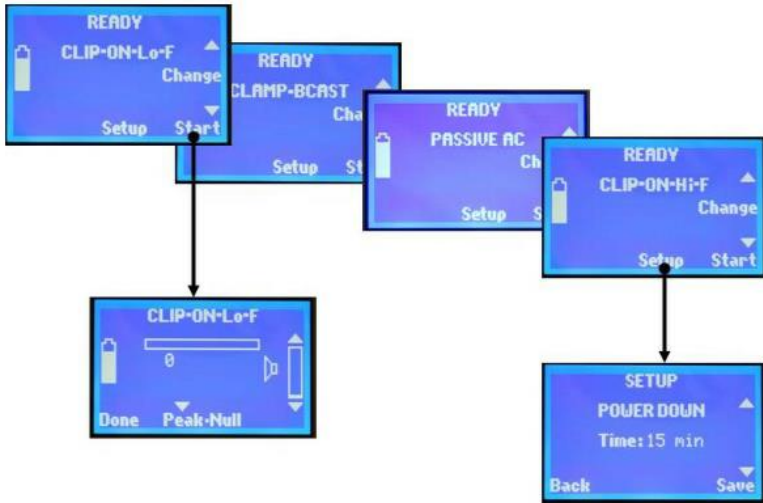
**CONTRALUZ:
1 - 4**

El Patrón: Permite que el usuario seleccione una señal de localización ininterrumpida o pulsante. Por favor, sea consciente de que la señal de localización ininterrumpida ocupa sumamente más energía de la batería al activarla continuamente.

**PATRÓN:
ININTERRUMPIDA
BEEP BEEP**



Controles del Receptor Pro900™

Operación del Receptor:**Las Pantallas de Visualización del Receptor Pro900**

Encienda el receptor. De la pantalla READY, seleccione cuál modo de localización va a utilizar (emisión, Clip-On Directo, LO-F o HI-F, correspondiente al modo del transmisor). Cuando seleccione "Start", el receptor se activa y la pantalla muestra el nivel de la señal que está detectando. Puede utilizar los controles para aumentar el volumen del receptor.

Cuando el receptor esté activo, la antena del receptor puede cambiar de modo de sonido a modo de silencio al presionar el botón de modo en el centro, como lo necesite para la localización.

Opciones de Configuración

Opciones del usuario son accesibles por el menú de SETUP del Transmisor Pro900™ al siguiente:

Apagarse: Esto permite que el usuario seleccione la cantidad de tiempo después de que el transmisor se encienda que el equipo se apaga automáticamente para no gastar la energía de las baterías.

APAGARSE:
ENCENDIDA, 30 MIN, 15 MINS, 5 MINS
BLUETOOTH:
No se usa actualmente

El Contraste: Regula la proporción de luz/oscuridad de la pantalla.

CONTRASTE:
1 - 8

El Contraluz: Ajusta los niveles del brillo del contraluz.

CONTRALUZ:
1 - 4

Modo Predeterminado: Determina cuál modo de detección el receptor estará cuando se encienda.

MODO PREDETERMINADO:
LO-F DIRECTO
HI-F DIRECTO
AC PASIVA
ABRAZADERA-EMISIÓN

Las características que están arriba son similares al transmisor con la excepción del modo predeterminado. Para utilizar esto, selecciona el modo del receptor que quiere que el receptor tenga como el modo predeterminado cuando se encienda. Generalmente es el modo que más se usa.

Localización de los Cables

Después de que el transmisor haya sido conectado correctamente y esté verificado que hay buena tierra, encienda la varilla receptora. El receptor está predeterminado ir al modo más recientemente usado con recepción de la antena en silencio con cada encendida. Ponga el receptor cerca del transmisor en operación. Un sonido pitido indica que el receptor está funcionando correctamente. Un tono más alto podría indicar que está muy cerca del receptor o que las baterías están con bajo nivel. Una señal rascada o suave indica baterías de nivel bajo.

Hay 2 modos para la recepción de la señal al localizar una trayectoria: Silencio o Sonido. El modo predeterminado del receptor es el modo silencio cada vez que se enciende. "SILENCIO" significa una ausencia o anulación de señal cuando está señalado o está directamente sobre el cable con la varilla receptora y escuchará un sonido más fuerte algunas pies alrededor del cable. "SONIDO" es lo opuesto, esto quiere decir que la señal es más fuerte cuando está encima del cable. Puede seleccionar el modo que prefiera. En general, lo más cerca que está al cable, lo más fuerte la señal debe ser con excepción de cuando está encima del cable con la varilla receptora. Los modos se puede cambiar mientras está localizando para indicar mejor la calidad de la localización de la trayectoria.

En el modo Clip-On Directo, comience la localización del cable y camine completamente alrededor, aproximadamente 5-10 pies del transmisor. Puede comenzar buscando el espacio en silencio. Hasta que el espacio en silencio esté identificado, podría recibir tonos de varios grados. Siga el tono de la señal hasta que el sonido se pierda, entonces estará sobre el cable, "ALLÍ ESTARÁ EL CABLE" y podrá iniciar la localización.

En el modo de emisión, la señal se puede detectar dentro de un círculo de por lo menos 20 pies alrededor del transmisor. Por lo tanto tiene que caminar fuera de esta área y después volver para buscar el cable o tubo que está localizando.

AVISO - El receptor y el transmisor siempre deben estar en el mismo modo para operar correctamente.

Las flechas de selección en el panel de control del receptor regula el volumen en los audífonos y el altavoz externo. Adicionalmente, el medidor analógico en el receptor indicará el nivel de la señal visualmente. Después de conectar y encender el transmisor y el receptor, señale el receptor hacia el suelo en la dirección del cable y escuche la señal.

Adicionalmente, el retroalimentación de la localización se dará en 3 maneras; el altavoz external audible, los audífonos, o el medidor analógico. Cualquiera de estas 3 opciones indica señal que el Pro900™ está recibiendo.

Localizando las Fallas

Mellas o daño del cable se pueden encontrar con el Pro900™. La forma de hacerlo es lo mismo procedimiento que cuando está localizando un cable. La diferencia está en la calidad de la señal. El cable localizado sigue emitiendo una señal en la trayectoria del cable pero una rotura o interrupción en el cable causará que la señal se detenga. Una mella o daño causará que el señal se baje pero no se detendrá por completo. El altavoz o el medidor analógico en el receptor indicará este cambio en la intensidad de la señal.

Asegúrese que el cable que está localizando está conectado a tierra - ésta completa el círculo para la señal corriente de la localización. Para localizar un cable, tiene que estar conectado a tierra, mecánicamente o con otro cable. Mecánicamente significa que en un lado hay tierra física y directa. Podría ser un cable conductor en la tierra también. La señal necesita una trayectoria a la punta de tierra y sin esa ruta, no se puede localizar bien. Conexión de tierra inadecuada será indicada en el medidor de salida del transmisor cuando no se puede lograr un OK, aún con la potencia máxima. En muchos casos, una falla de un cable directo aterrizado enterrado proveerá esta conexión y permitirá la localización de un cable.

Una regla general es lo más que el cable está dañado, la señal tendrá más anulación en la punta del daño. En cambio, daño minimal o conexión débil de tierra mostrará poco cambio en señal. Este es un

arte y fallas pequeñas son difíciles localizar. Práctica y experiencia ayudarán grandemente en este trabajo.

Si el daño es tan pequeño para localizar y tiene una trayectoria a la tierra, considere un localizador de fallas de tierra como el GFL3000. Daños pequeños de los cables, como muescas de pala o mascadas de taltuza, son muy difíciles de localizar con un localizador de cables. Un localizador de fallas de tierra son diseñados para encontrar exactamente ese tipo de falla. Puede encontrar más información acerca de la localización de fallas de tierra y el GFL3000 en nuestro sitio de web www.armadatech.com.

Localizando Válvulas de Solenoide

Generalmente, hay 2 maneras aceptadas para localizar solenoides/válvulas pérdidas.

El primer método es conectar el conductor rojo del transmisor al cable de la estación que va a la válvula en cuestión y el conductor negro a tierra como está explicada arriba. Referimos a esto como el método desequilibrado. Opere el Pro900™ como se ha explicado arriba y comience a localizar. Cuando localice donde está una válvula/solenoide, la señal expandirá a una área más grande (aprox. 2-4 pies) de señal. Muchas veces, el volumen de la señal será más fuerte. Esto indica que ha localizado una válvula o solenoide.

El segundo método es localizar la trayectoria del cable como ha sido explicado anteriormente. Cuando la trayectoria del cable esté localizada, tiene que apagar el transmisor, quitar el conductor negro de la tierra, y conectarlo al cable común. Llamamos esto el método equilibrado. En el caso de que hayan varios cables comunes, es recomendable que aisle y conecte el conductor al cable que sirve para la válvula en cuestión. Conectando a varios cables comunes funcionará, no obstante debilitará la intensidad de la señal.

Encienda el transmisor y ajuste la señal de salida según sus necesidades. Una alta potencia de la salida no es necesario y limitará la vida de la batería. Es recomendable que otra vez señale con el receptor

al transmisor para asegurarse que los dos están encendidos y funcionan correctamente.

Camine despacio por la trayectoria del cable que está marcando. Habrá una ausencia de señal por la cancelación de los cables paralelos hasta que se acerque a la válvula. Al irse acercando a la válvula, el receptor comenzará hacer un sonido fragmentado que intensificará y distorsionará. Baje el volumen y tómese su tiempo.

Aún con el volumen en el nivel más bajo, la señal causada por la válvula solenoid será sumamente fuerte. Localizar exactamente la ubicación del solenoide es posible si baja el volumen y se toma su tiempo. Mientras más bajo el volumen, lo más preciso puede ser la localización.

Lentamente, mueva el receptor en la forma de una X encima del área que tiene el tono alto y continúe bajando el volumen al mover la punta del receptor más cerca del suelo. Entre la proximidad del receptor al suelo y la reducción del volumen se puede discernir exactamente donde está la válvula solenoide. Use una punta, varilla, o desarmador para identificar donde está la caja de la válvula antes de excavar. Esto asegurará que el daño no fue causado por su localización. Cuando la válvula esté localizada, verifique a mano de que ésta fue la válvula objetiva, con el Pro48, o con el control.

Podría haber más de una válvula en el cable que está localizando. Podría pasar la primera válvula localizada para determinar si hay otras válvulas también en este cable.

Modo de Emisión

Modo de Emisión es sin conexión y es diferente del método de conexión Clip-On directo que anteriormente fue explicado. No es tan preciso ni fuerte como una conexión directa, pero cuando el acceso a los cables es limitado o solamente una mirada rápida se requiere, el modo de Emisión puede ser muy útil.

El modo de Emisión es excelente para localizar cables de teléfono o de televisión. Es menos útil con cables conectados a solenoide. El principio en cuanto al modo de Emisión es inducción AC. En cables ordinarios, funciona bien y puede funcionar para un cable de aspersor pero el solenoide tiene que estar eliminado del circuito. Se puede hacer desconectando el solenoide y conectando a tierra el cable a mano. La problema es que el solenoide actúa como un bloqueador de señal con inductancia AC. Al quitar el solenoide del circuito, se puede localizar cables de aspersor en modo de emisión. Sistemas de 2 cables desactivadas no tienen ésta problema para ser localizables como están en la tierra.

El modo de Emisión se usa como una antena inductiva que está en el estuche del transmisor para emitir una señal alrededor del estuche en un radio de aproximadamente 20 pies en cada dirección. Permite que el usuario transmita e induzca la señal del transmisor directamente a tierra. Un cable metálica subterráneo que va por este campo electromagnético detectará al menos un poco de la señal de localización y hace ese conductor sea localizable con la varilla.

Ponga el transmisor en el suelo encima del cable que se va a localizar y seleccione Emisión para comenzar. Una posición vertical del estuche aumenta la potencia inducida a la tierra. El transmisor ahora está induciendo una señal aproximadamente 20 pies alrededor y activando cualquier conductor en ese campo. Ahora se puede localizar un conductor que haya agarrado esa señal.

También, cuando el usuario esté a una distancia de 20 pies del transmisor, no se puede localizar un cable porque la señal del estuche sobrecarga la señal inducida del cable. El usuario siempre escuchará la señal del transmisor en los 20 pies del estuche del transmisor.

El modo de Emisión no tiene control de salida en el transmisor. Adicionalmente, recuérdese que TODO los conductores en la tierra que puedan agarrar la señal lo harán. Por tanto, localización funciona mejor en áreas que no estén saturadas de cables.

Es importante entender las funciones y limitaciones del modo de Emisión comparado a la conexión directa con conductores rojos/negros.

AVISO - El modo de emisión solo opera con la recepción de “Silencio.”

Modo de abrazadera Inductivo

Para utilizar la abrazadera IC2, introduzca la abrazadera al receptáculo de abrazadera en el transmisor Pro900™ y ponga el transmisor en el modo “Emisión o Abrazadera”. Sujete el IC2 al cable o tubo que está localizado. Por favor anote que la abrazadera se debe poner entre las puntas de conexión de tierra en los dos extremos del cable y que el cable debe ser conectado a la tierra en los dos extremos para funcionar. La abrazadera induce el corriente en el cable y el corriente no fluirá si el cable no está conectado a la tierra por los dos lados.

Puede aumentar la eficacia de la abrazadera al envolver la abrazadera con el cable lo más veces posible. Como un transformador, mientras más se envuelve, lo más poder tendrá.

Tenga en cuenta que el abrazadera debe estar entre los puntos de tierra en ambos lados del cable y el cable debe estar conectado a tierra en ambos lados para que funcione el abrazadera. El abrazadera induce corriente al cable y el corriente no fluirá si el cable no esté conectado a tierra.

AVISO - El modo de abrazadera inductivo solo opera con la recepción de “Silencio.”

La Localización de Líneas Eléctricas en Vivo Utilizando el Modo Pasivo

El receptor Pro900™ tiene la capacidad de detectar líneas eléctricas AC en vivo en la tierra sin estar conectada a ellas. Es conocida como el modo pasivo AC. En modo pasivo, no se usa el transmisor.

NO INTENTE CONECTAR LOS CONDUCTORES O CUALQUIER OTRO COMPONENTE DEL Pro900™ A LÍNEAS ELÉCTRICAS EN VIVO. PUEDE RESULTAR EN DAÑO O LA MUERTE.

Para utilizar este modo pasivo, encienda la varilla del Pro900™ y seleccione el modo Pasivo AC en el panel de control. Esto cambia el modo del receptor a un modo que no está filtrado y que detecta un campo eléctrico que está alimentado por un corriente de 50 Hz o 60 Hz. Cuando el Pro900™ está encendida, sencillamente busque el área hasta que escuche un zumbido. No hay un sonido de pitido porque no está utilizando el transmisor. Siga el sonido de zumbido en el modo silencio o sonido (los dos funcionará) para localizar el cable. **NO CONTAR CON EL MODO PASIVO COMO EL ÚNICO MÉTODO PARA LOCALIZAR LÍNEAS ELÉCTRICAS.** El modo pasivo tal vez no detectará cables eléctricas si no haya corriente eléctrica en vivo presente en el cable en el momento.

Cómo determinar profundidad

Encuentre el silencio encima de la trayectoria del cable y marqueló. Luego toque con la punta del receptor el suelo donde ha marcado. Sin levantar la punta del receptor del suelo, suba el receptor hasta aproximadamente un ángulo de 45 grados en relación al terreno y camine lentamente hacia atrás, alejándose de la trayectoria del cable hasta que encuentre el silencio. La distancia entre la trayectoria del cable y el nuevo nulo establecido es aproximadamente la profundidad del objetivo.

Determinar la exactitud del objetivo

Es muy fácil hacer el método para determinar la exactitud del objetivo. Toque la punta del receptor al suelo directamente encima de la locación de su objetivo. Cámbielo de silencio a sonido presionando el seleccionador de modo. Las señales silencio y de sonido estarán presentes por igual si la localización es exacta. Si el sonido y el silencio

no están en acuerdo por menos de algunas pulgadas la localización no es exacta. Cambiando entre los modos silencio y sonido al localizar la trayectoria del cable puede asegurar la exactitud y le ayuda a tener más confianza en Ud., mismo. Con la práctica será muy fácil, rápido, y seguro seguir la trayectoria de un cable con la zona de silencio.

Consejos Útiles

Los aumentos en la intensidad de la señal y/o el tamaño del área que está ocurriendo indica alguno tipo de anomalía en los cables. Cosas que podrían causar esto son válvulas, mellas, cortadas, o cables cortados. El cable en buena condición normalmente no cambia el tono o la intensidad, aparte de una pérdida de señal gradual con la distancia es posible. Cables extras en el suelo son ejemplos de un factor que causaría un aumenta de señal pero no tendría problema.

También, la condición de la tierra hace una gran diferencia en el rendimiento del localizador de cables. Básicamente, un circuito está siendo creado del transmisor, a través del cable, por la tierra y de regreso por la punta de tierra. Cualquier discontinuidad entre estas conexiones hará que el localizador no funcione. Asegúrese que la punta de tierra está segura y en la tierra y que el transmisor está conectado al cable que quiere localizar.

La tierra sirve como la trayectoria de regreso para el circuito. Al usar métodos de conexión directa, tendrá que condicionar la tierra seca o arenosa para aumentar la conductividad de la tierra agregando un poquito de agua donde está la punta de tierra. La mejor manera de aprender a usar el Pro900™ es utilizarlo. Prepárese un lugar de prueba en su casa o oficina y acostumbrese con cómo funciona. No hay sustituto por experiencia en el arte de la localización.

Adicionalmente, nuestro sitio de web tiene muchos videos de entrenamiento bajo de la pestaña de entrenamiento y son disponibles

24/7. También tenemos soporte técnico con seres humanos en vivo de lunes a viernes de 8 en la mañana a 4:30 en la tarde EST.

LAS ESPECIFICACIONES

Los Rangos de Localización

Profundidad: 8 pies (2.4m)

(LO-F, 2kHz) *Largo del Cable:* 5000 pies (1.5 km) con conexión directa

Largo del Cable: ilimitado en el modo emisión y “leapfrogging”

Las Señales de Localización:

La Primera Frecuencia (LO-F): 2 kHz conexión directa

La Segunda Frecuencia (HI-F): 33 kHz conexión directa

La Tercera Frecuencia (Emisión): 175 kHz via abrazadera o antena internal

AC Pasiva: 50/60 Hz

Las Antenas

Peak Recibido - 2/33 kHz

Nulo Recibido - 2/33 kHz

Peak Recibido - 175 kHz

Transmisión Internal - 175 kHz

Diámetro de la Abrazadera Interior- 3.5 pulgadas (85mm)

Salida de la Señal de Conexión Directa

900 V sonido sin carga

1 W máximo

Salida del Audio- Los Audífonos y Altavoz

Alimentación -

El Transmisor: Ocho (8) baterías D (LR20) alcalino o NiMD, o Alimentación 120 Vac External

El Receptor: Uno (1) 9 V (6LR61)

La Garantía - Armada Technologies tiene garantía para todos sus productos contra defectos de fabricación por 12 meses después de la compra minorista. Armada Technologies reparará o reemplazará cualquier componente retornado dentro de los 12 meses siguientes a la compra siempre y cuando no tenga evidencia de abuso o mal uso. Es el discreción de Armada Technologies para determinar esta condición.

Armada Technologies también conserva el derecho de requerir la prueba de compra para determinar la fecha y la validez de la compra.

Las baterías no son incluidas en la garantía.

Las Notas

Armada Technologies Inc.
3596 76th St. SE
Caledonia, MI 49316
USA
(616) 803-1080

www.armadatech.com

© Armada Technologies 2020

[REV 12/20 L](#)